

Camps with Meaning

2020

 **Camp Koinonia** BOISSEVAIN

 **Camp Assiniboia** HEADINGLEY

 **Camps with Meaning**
 **Mennonite Church Manitoba**



our 2020 theme is
Knowing God

Hello,
Parents & Caregivers!

We want your kids to come and spend a week with us at Assiniboia and Koinonia! Their week will be filled with exciting activities, awesome food, new friends and tons of fun! We strive to make camp a space where everyone has opportunities to make connections with creation, with the Creator, and with the amazing camp community. Your kids will build confidence and independence while being mentored by well-trained and fun-loving staff. Summer camp is a unique space for social, emotional, physical, and spiritual growth in an outdoor setting that allows campers to get up close and personal with God's creation.

Camps with Meaning runs a Christian camp program at two sites to which campers of all experiences and perspectives are invited and welcomed. Bible time includes singing, stories, skits, and activities. The lessons each day will be based on this summer's theme of "Knowing God." Campers will learn about what it means to know and be in relationship with our Creator. Join us for adventures that will last a lifetime!

A handwritten signature in black ink that reads "Janet Peters". The signature is stylized and includes a flourish at the end.

JANET PETERS, ASSOCIATE PROGRAM DIRECTOR, CAMPS WITH MEANING



Introducing our Camps!

Camps with Meaning runs two camps with many similar activities, but also some unique differences. Activities that you can participate in at either camp include archery, learning about nature, sharpening your camp skills, group games, swimming and a mid-week campout.

We have at least one week of camp for every age!

- » **Pre-Junior half-weeks** (completed gr 1-4)
- » **Junior-Intermediate** (completed gr 1-6) day camp option too!
- » **Junior High** (completed gr 6-9)
- » **Youth** (completed gr 9-12)

NEW

Day Camp Option (completed gr 1-6)

New this year! If staying out at camp for the whole week is too far out of your comfort zone, take advantage of our day camp option during three of our Jr-Int weeks this summer.

Arrive at camp after breakfast and join the overnight campers for singing, Bible, and activities, and then head home for supper and nights in your own bed! Longer days, lunch and snacks and bus transportation are included in the fee.

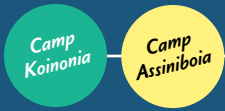
Check out the following pages for the calendar and what you can find at



and



Schedule & Rates



July

Sunday	Monday	Tuesday	Wednesday	Thursday	Friday	Saturday
12	13	14	15	16	17	18
Junior - Intermediate (completed gr 1-6 / \$430) Day Camp (completed gr 1-6 / \$335)						
19	20	21	22	23	24	25
Junior High (completed gr 6-9 / \$430) Junior High Out-Trip (completed gr 6-9 / \$430) Junior- Intermediate (completed gr 1-6 / \$430) Day Camp (completed gr 1-6 / \$335)						
26	27	28	29	30	31	Aug 1
Junior High (completed gr 6-9 / \$430) Junior-Intermediate (completed gr 1-6 / \$430) Day Camp (completed gr 1-6 / \$335)						

August

2	3	4	5	6	7	8
Junior-Intermediate (completed gr 1-6 / \$430)						
9	10	11	12	13	14	15
Junior High (completed gr 6-9 / \$430) Intermediate (completed gr 5-8 / \$430) Intermediate Farm Camp (completed gr 5-8 / \$430) Pre-Junior (completed gr 1-4 / \$245) Pre-Junior (completed gr 1-4 / \$245)						
16	16	18	19	20	21	22
Youth (completed gr 9-12 / \$430)						
23	24	25	26	27	28	29
Junior High Adventure (completed gr 6-9 / \$430) Junior High Farm Camp (completed gr 6-9 / \$430)						

Details & Information

Register:

Fill out the online registration and submit your secure online payment or send a paper copy of the registration form to our head office along with a cheque made out to Mennonite Church Manitoba.

Note: Prices do not include GST (5%). A spot will only be secured when payment has been received.

Early Bird Discount available before March 31!!!

Check in:

Registration begins at 7:00 pm on the opening date of each session.

Day Camp daily drop off time is at 8:30 am at the Canadian Mennonite University's south parking lot (600 Shaftesbury Blvd).

Pick up and Closing Programs:

- » **Assiniboia:** begins at 6:00 pm on the closing date of each session.
 - » **Koinonia:** begins at 1:30 pm on the closing date of each session.*
 - » **Day Camp:** pick up at 5:30 pm daily at the Canadian Mennonite University's south parking lot (600 Shaftesbury Blvd)
- * August 8 closing programs begin at 11:00 am

Take the Bus to Camp Koinonia!

Available each week to and from camp!

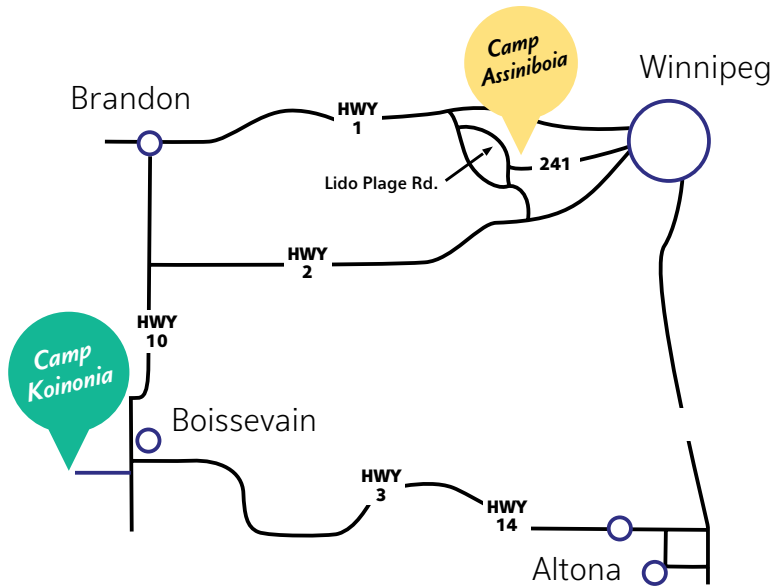
Why take the bus?

- » **1.** Meet new friends before you even get to camp
- » **2.** Convenient drop off and pick up locations
- » **3.** Save on gas and reduce environmental pollution

Where do we catch the bus?

The bus ride starts in Winnipeg at Canadian Mennonite University's south parking lot (600 Shaftesbury Blvd). There is also a brief stop in Morden en route to camp.

Finding Your Way



Assiniboia:

9 km west of Headingley on Hwy #1, then south on Prov Rd #424 and immediately east on Lido Plage Rd for 4 km. Approximately 16 km from Winnipeg.

Koinonia:

14 km south of Boissevain on Hwy #10, then west on Koinonia Rd for 6 km. Approximately 272 km from Winnipeg.

How to afford camp!

Camps with Meaning believes that nothing should get in the way of campers going to camp.

- » **1. Our Campership Fund** can help you make it happen. Anyone can qualify and get up to 35% off, so everyone can get to camp!
- » **2.** There is an **Early Bird Discount** of \$20 if you register by March 31, 2020. On top of that, families registering more than one camper qualify for a **Family Discount** of \$20 off of the second and any additional children. Registrations must be mailed in the same envelope or completed online on the same day to qualify.
- » **3. Other Funds and Bursaries** are available through the Manitoba Camping Association's Sunshine Fund at <http://www.mbcamping.ca/forparents/sunshine-fund.cfm>.

Join Club 84!

We are inviting you to be a part of our camping ministry. Camps with Meaning is funded by rental revenue, fundraisers, summer camp fees, and church donations. Personal donations are also key to making camp happen.

We are looking for monthly commitments in whatever amount works for you. If 84 people commit to donating \$20/month we can raise \$20,000 per year.

You can donate online at www.campswithmeaning.org/support or call 204-895-CAMP.





Camp
Koinonia



Camp Koinonia

archery | climbing wall | zipline | swimming | canoeing | campout

Camp Koinonia is located in the heart of Turtle Mountain Provincial Park south of Boissevain on the shore of beautiful Max Lake and offers its own unique relationship with creation through canoeing and swimming activities on and in the lake, wilderness campsites, a climbing wall, and a zipline!

CAMPS OFFERED ONLY AT KOINONIA:

- » **Junior High Out-Trip** (completed gr 6-9) - If you are looking to get out into the wilderness for a week, this is the camp for you! After a full day of learning, activities, and getting to know each other, campers will head out onto the lake in canoes for a camping adventure lasting 3 nights. Come and challenge yourself while building skills and friendships!
- » **Youth** (completed gr 9-12) - Join us for a week filled with challenging activities and workshops, new friends, learning together about faith, camping out around the lake, and a whole lot more. You get to choose what you want to do and enjoy everything Koinonia has to offer – what could be better?





Camp Assiniboia

archery | farm | swimming | campout | horses | ropes

Camp Assiniboia is located just 20 minutes west of Winnipeg and offers unique opportunities to connect with creation through large forested areas with trails and campsites, a teaching garden and small animals, a horsemanship program, high ropes course with a zipline, and a swimming pool!

CAMPS OFFERED ONLY AT ASSINIBOIA:

- » **Pre-Junior** (completed gr 1-4) - For our youngest campers we offer the opportunity to get a taste of the overnight camp experience in two full days and two nights away from home. With all our usual programs and activities geared especially to them, your campers will make new friends and meet some amazing staff!
- » **Farm Camp** (completed gr 5-8 and gr 6-9) - Come and get your hands dirty at Farm Camp! Learn about caring for small animals, how vegetables grow and what to do about weeds, and make some delicious food from produce YOU harvest! Plus enjoy all of Assiniboia's great activities and head into the forest for a campout.
- » **Junior High Adventure** (completed gr 6-9) - Come and grab the chance to have a hand in building your week at camp! You will be able to choose some of their favorite activities, while still enjoying everything Assiniboia has to offer. Spend time in the garden, with the horses, climbing the ropes course, and getting creative. Camping out in the forest and a thrilling night game will round out your week of adventure!



Camp Assiniboia



FAQs

Do you accommodate campers with special needs?

Absolutely! Our integration program provides support for children and youth who need adaptations to have a successful week. If your child needs any support or adaptations please provide details with your registration or give us a call. Apply early to hold your spot. Our Integration Coordinators will contact families starting in May to confirm your registration and to help us prepare any adaptive programming and care required. A conversation or interview may be requested.

Can I register my camper for more than one session?


Sure! Simply complete a separate online or paper registration form when applying for more than one week.

Will there be more information coming?

Yup! We begin mailing out camper acceptance letters to registered campers in May. The letter will include a packing list, transportation details, a medical form, and anything else we can think of to help prepare your camper for camp.

What exactly is the Campership Fund and how do I apply?

The Campership Fund is monies our constituents have donated in order to help all campers who want to get to camp. Anyone is eligible for up to 35% off of the registration fee. We have tried to make the process as simple as possible. If applying online you will be prompted to enter the number of campers from your family and your household income and our office will get back to you within a day with the code needed to complete your registration. If applying on paper, fill out section B at the bottom of the form and the office will contact you with your adjusted registration fee. No sweat!



campswithmeaning.org

204-895-CAMP (2267)

camps@mennochurch.mb.ca

600 Shaftesbury Blvd

Winnipeg, MB R3P 0M4

fb / campswithmeanin

twitter: @campswithmeanin

insta: @campswithmeaning

*You read that right!
No "g" on those first two!*

**Camps with Meaning is the camping ministry
of Mennonite Church Manitoba.**

